

# Stone Leaf

Créateur de feuille de pierre 100% naturelle

**INSTALLATION INFORMATION**  
**STONELEAF +**







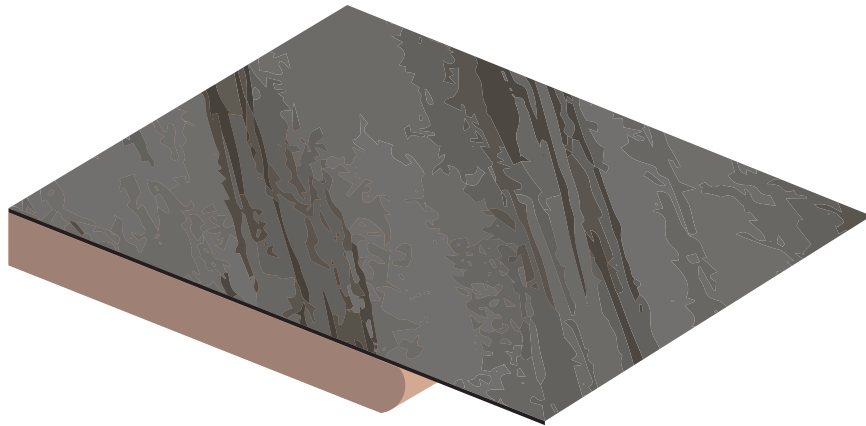




# INSTALLATION

## 4 StoneLeaf+ installation

3



Install the StoneLeaf on your substrate.

4

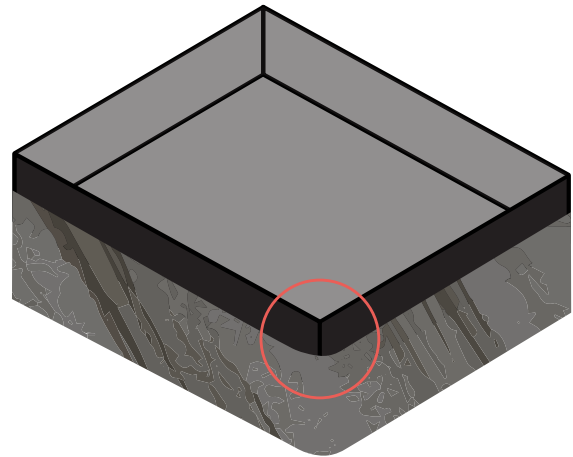
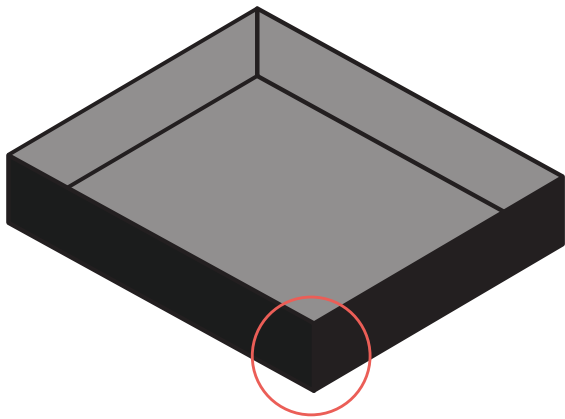


Adjust the StoneLeaf on the substrate. You can use a heat gun to get the StoneLeaf more flexible.

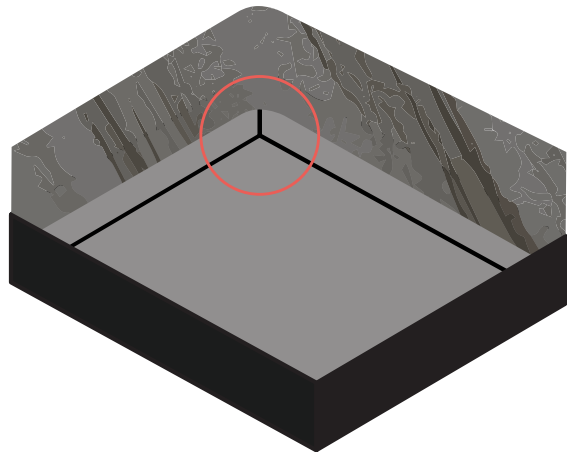
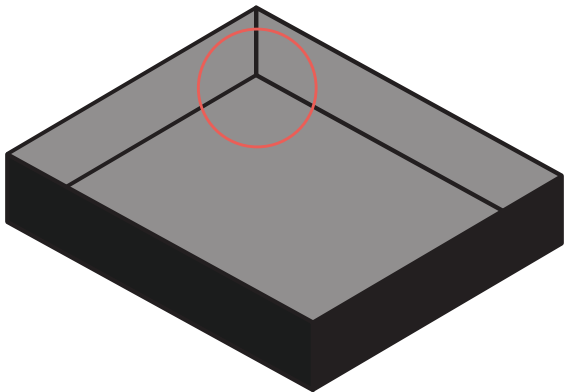
# FITTING

## 5 Internal and external angles

1



For external angles, you just have to heat the StoneLeaf and bend it around your substrate.



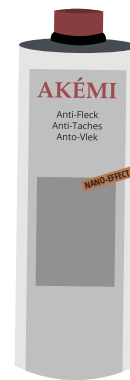
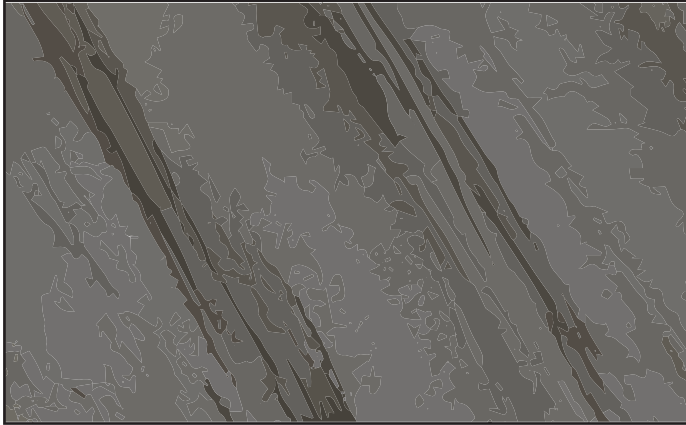
For internal angles you just have to heat the StoneLeaf and bend it around your substrate.



# PROTECTION AND CLEANING

## 6 Stone protection

1



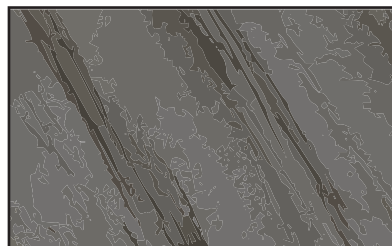
**In dry area :**

Water and oil repellent :

Apply with a clean cloth from down to the top to avoid run out. Remove the excess with a clean cloth after 20 minutes.

## 7 Cleaning

1



You can easily clean the StoneLeaf with brushes or sponges (don't use the abrasive side) with pure vinegar or mixed with sodium bicarbonate in case of deep stains.